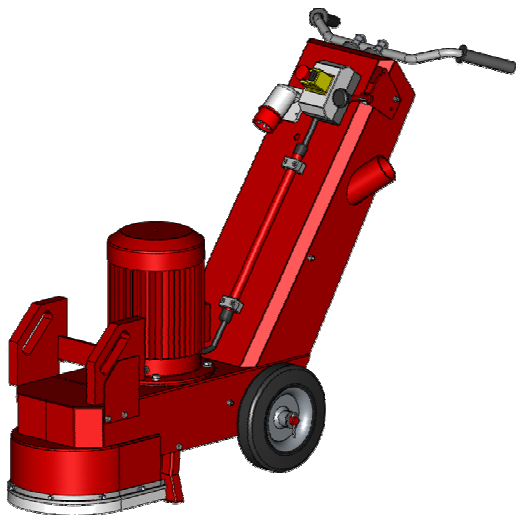


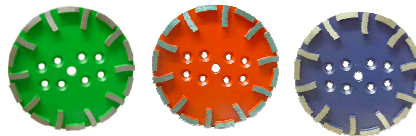
## **Diamatic 250** Single disc grinding machine

<b>Technical information</b>	
Working width	Ø 250mm
Motor power	5,5 kW
Amp / Volt	3 phase / 16 Amp / 50 Hz / 400 V
Dimensions (L x W x H)	1.270 x 500 x 1.020mm
Weight	126 kg
Application	Concrete / Stone / Asphalt / Elastic materials



### **Accessories**

<i>Dustcollector</i>	Vacuum 1220 / 1330
<i>Ø250 grinding disc</i>	E01419 – Soft surfaces E01402 – Medium surfaces E01417 – Hard surfaces
<i>Ø250 PCD grinding disc</i>	BG707250
<i>10m suction hose Ø76mm</i>	005014
<i>Personal safety features</i>	On request / See manual



### **Main assets**

- ❖ Heavy duty single-disc grinding machine Ø 250 mm, with unique flexible coupling provide even grinding, maximum tool performance and excellent lifetime of diamond tools.
- ❖ Working areas: Surface preparation before applying a new coating, removal of coating, concrete, road marking removal, cleaning and glue removal.
- ❖ Designed for surface preparation of medium to large job sites.
- ❖ Closed circuit which is almost dust free, when connected to an appropriate Diamatic dust collector.
- ❖ Can be used on all surfaces: concrete, asphalt, line removal, granite, marble, stone.
- ❖ Safety features: voltage guard, overload protection, emergency stop button
- ❖ Can grind right up to 50 mm from the wall.
- ❖ Easy and comfortable to use, low noise and vibration levels, ready to work.
- ❖ Several optional tools for each different application.