

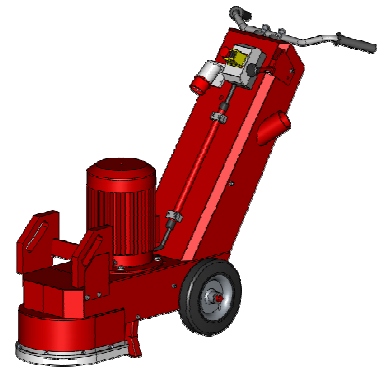
Diamatic 250 grinding discs

Always use DIAMATIC genuine spares and tools: they are especially designed for heavy duty professional use, and are the guarantee to a longer life time for your equipment.

The tools listed below are designed to be fitted on DIAMATIC 250 single disc grinder in electric or petrol version, as well as on Ø250mm grinders from any other supplier.

DIAMATIC quality diamond discs:

- ❖ Original DIAMATIC quality.
- ❖ 20 segments with standard quality diamond.
- ❖ Specific design, increased dust extraction when used



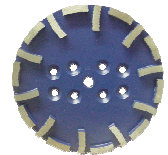
Article code

Description

E01419

Diamond disc blue.

- ❖ Working width Ø 250mm.
- ❖ Blue: hard bond segments for soft floors.
- ❖ Heavy, in-depth grinding.



E01402

Diamond disc green.

- ❖ Working width Ø 250mm.
- ❖ Green: medium bond segments for universal floors.
- ❖ Heavy, in-depth grinding.



E01417

Diamond disc red.

- ❖ Working width Ø 250mm.
- ❖ Red: soft bond for hard floors.
- ❖ Heavy, in-depth grinding.

