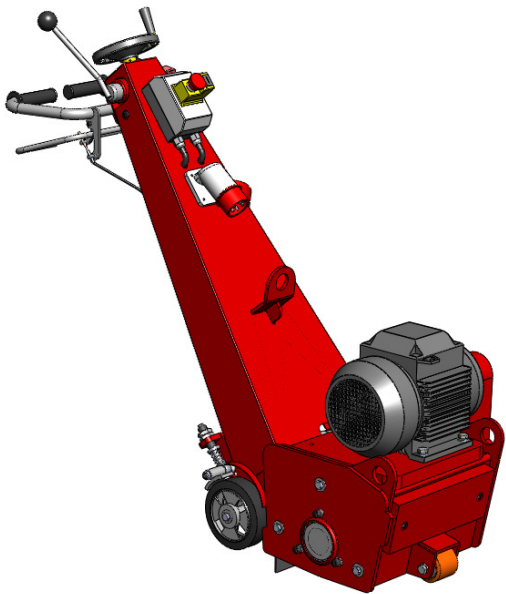
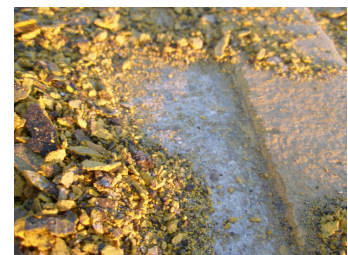


## **Diamatic 265E** Scarifying machine

<b>Technical information</b>	
Working width	Ø 265mm
Performance	Up to 120m <sup>2</sup> /h on concrete
Motor power:	5,5kW / 400V - 50Hz / 16A - Three phase
Working speed	1500 rpm
Dimensions (L x W x H)	1260mm / 500mm / 1160mm
Weight	175 kg
Application	Concrete / Stone / Asphalt



<b>Accessories</b>	
<i>Dustcollector</i>	Diamatic 1330 / 317
<i>Drum complete with original cutters</i>	MPD265SL272S
<i>Drum complete with milling cutters</i>	MPD265SL75S
<i>Drum complete with full TC milling cutters</i>	MPD265SL60S
<i>Refill kit with original cutters</i>	MPL272SL265
<i>Refill kit with milling cutters</i>	MPL75SL265
<i>Refill kit with full TC milling cutters</i>	MPL60SL265
<i>15m Suction hose Ø76</i>	005014



### **Main assets**

- ❖ Closed circuit which is almost dust free, when connected to an appropriate Diamatic dust collector.
- ❖ Heavy weight for increased scarifying performances
- ❖ New braking system with handle. During scarifying, the machine slows down itself. Brake force is easily changed with handle on steer.
- ❖ Extra heavy drum, for more down force.
- ❖ Adjustable braking device, lateral drum loading
- ❖ Micrometric and memorized adjustment of the working depth: no underground deterioration and more precision.
- ❖ User friendly design, comfortable to use with low vibrations, easy to manoeuvre.
- ❖ Several optional cutting tools for each different application.