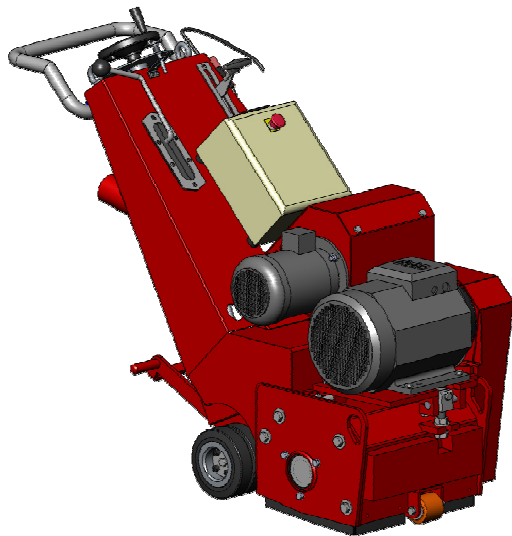
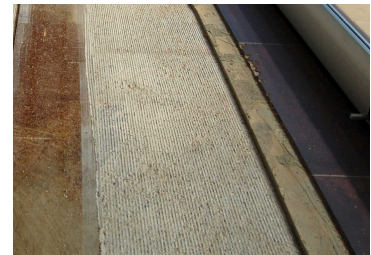


Diamatic 335MC Sawing machine

Technical information	
Working width	Ø 335mm
Performance	Up to 80m ² /h on concrete
Motor power:	12,1kW / 400V - 50Hz / 32A - Three phase 13,9kW / 440V - 60Hz / 32A - Three phase
Working speed	3000 rpm
Dimensions (L x W x H)	1400mm / 605mm / 1075mm
Weight	405 kg
Application	Concrete / Stone / Asphalt



Accessories	
<i>Dustcollector</i>	Diamatic 317 / 3140
<i>Drum complete green 30/40</i>	MPC335-2503040GR
<i>Drum complete blue 30/40</i>	MPC335-2503040BL
<i>Blades 250mm green 30/40</i>	E06320
<i>Blades 250mm blue 30/40</i>	E06321
<i>Spacer ring</i>	E06079
<i>15m Suction hose Ø76</i>	005014



Main assets

- ❖ Closed circuit which is almost dust free, when connected to an appropriate Diamatic dust collector.
- ❖ Possibility to remove 3mm of concrete a time (depending on type of concrete), which saves a lot of time.
- ❖ Because this machine does not hit the floor, it is a perfect way to remove hard top layers from soft floors.
- ❖ Sawing pattern is very fine, because of the many blades on one drum.
- ❖ New: drive system equipped with a pedal. Machine can drive on power without a working drum.
- ❖ Reduced the use of expensive diamond tools.
- ❖ Complete sealed drum housing for reducing substance.
- ❖ By using more spacers and fewer blades the sawing pattern can be changed.
- ❖ Combination machine, which is easy to change from sawing machine into scarifying machine.
- ❖ Comfortable to use, easy to move, low vibrations
- ❖ Several optional tools for each different application